

---

**LUBRICATION ORDER****LO 9-6115-643-12****31 JULY 2008**This Lubrication Order supersedes LO 9-6115-643-12,  
dated 30 October 1996

---

**GENERATOR SET, SKID MOUNTED  
TACTICAL QUIET 15kW, 50/60 AND 400 Hz**

<b>DOD MODEL</b>	<b>CLASS</b>	<b>HERTZ</b>	<b>NSN</b>
<b>MEP-804A</b>	<b>TACTICAL QUIET</b>	<b>50/60</b>	<b>6115-01-274-7388</b>
<b>MEP-814A</b>	<b>TACTICAL QUIET</b>	<b>400</b>	<b>6115-01-274-7393</b>
<b>MEP-804B</b>	<b>TACTICAL QUIET</b>	<b>50/60</b>	<b>6115-01-530-1458</b>
<b>MEP-814B</b>	<b>TACTICAL QUIET</b>	<b>400</b>	<b>6115-01-529-9494</b>

Reference TM 9-6115-643-10

**REPORTING ERRORS AND RECOMMENDING IMPROVEMENTS**

You can help improve this LO. If you find any mistakes or if you know of a way to improve the procedures, please let us know. Reports, as applicable by the requiring Service, should be submitted as follows:

Mail your letter or DA Form 2028 (Recommended Changes to Publications and Blank Forms) located in the back of this manual, directly to: Commander, U.S. Army CECOM Life Cycle Management Command (LCMC) and Fort Monmouth, ATTN: AMSEL-LC-LEO-E-ED, Fort Monmouth, NJ 07703-5006. You may also send in your recommended changes via electronic mail or by fax. Our fax number is 732-532-1556, DSN 992-1556. Our e-mail address is MONM-AMSELLEOPUBSCHG@conus.army.mil. Our online web address for entering and submitting DA Form 2028s is <http://edm.monmouth.army.mil/pubs/2028.html>.

A reply will be furnished to you.

"Copy of this Lubrication Order will remain with the equipment at all times. Instructions contained herein are mandatory."

**DISTRIBUTION STATEMENT A** - Approved for public release; distribution is unlimited.

## NOTES

Intervals (on-condition or hard time) and the related man-hour times are based on normal operation. The man-hour time specified is the time you need to do all the services prescribed for a particular interval. On-condition (OC) oil sample intervals shall be applied unless changed by the Army Oil Analysis Program (AOAP) laboratory. Change the hard time interval if your lubricants are contaminated or if you are operating the equipment under adverse operating conditions, including longer-than-usual operating hours. The hard time interval may be extended during periods of low activity. If extended, adequate preservation precautions must be taken. Hard time intervals will be applied in the event AOAP laboratory support is not available.

Lubrication points are indicated by arrow shafts on the equipment.

The lowest level of maintenance authorized to lubricate a point is Unit Maintenance (C).

Warm engine oil by running engine for approximately 5 minutes prior to draining crankcase.

**1. Specifications, standards, and handbooks.** The following specifications, standards and handbooks for a part of this document to the extent specified herein. Unless otherwise specified, the issues of these documents are those cited in the solicitation or contract.

### STANDARDS

MIL-STD-38784	Standard Practice for Manuals, Technical: General Style and Format Requirements (Isuzu Engine)
---------------	------------------------------------------------------------------------------------------------

MIL-STD-40051-B	Department of Defense Standard Practice, Preparation of Digital Technical Information for Multi-Output Presentation of Technical Manuals (YANMAR Engine)
-----------------	----------------------------------------------------------------------------------------------------------------------------------------------------------

### HANDBOOKS

MIL-HDBK-113	Guide for the selection of Lubricants, Functional Fluids, Preservatives and Specialty Products for Use in Ground Equipment Systems
--------------	------------------------------------------------------------------------------------------------------------------------------------

((Copies of these documents are available online at <http://assist.daps.dla.mil/quicksearch/> or from the Standardization Document Order Desk, 700 Robbins Avenue, Building 4D, Philadelphia, PA 19111-5094.)

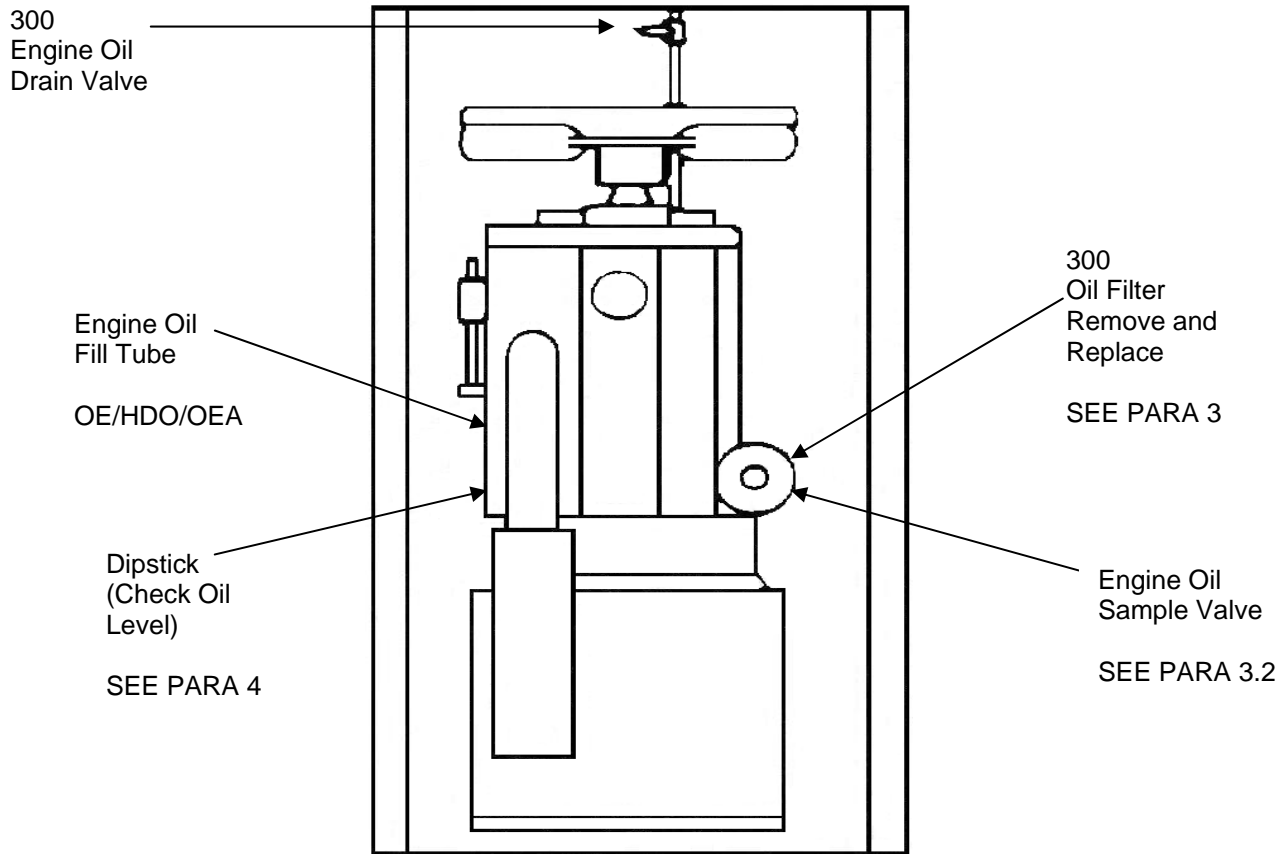
TOTAL TASK-HR

INTERVAL TASK-HR

300 0.4

LUBRICANT • INTERVAL

INTERVAL • LUBRICANT



ISUZU C-240PW-28 MEP-804A, MEP-814A

LUBRICANTS	CAPACITY	Above +32°F (0°C)	+40°F (+4°C) to -10°F (-23°C)	0°F (-17°C) to -65°F (-53°C)	INTERVALS
OE/HDO-Oil, Engine, Heavy Duty Crankcase Oil Can Points	With Filter 6 qts. 5.7 Liters	OE/HDO-30	OE/HDO-10	OEA	intervals given are in hours of normal operation
OEA-Oil, Engine, Sub-zero	Without Filter 5 qts. 4.7 Liters	OE-HDO-15/40			

NOTE: FOR ARCTIC OPERATION REFER TO FM9-207.

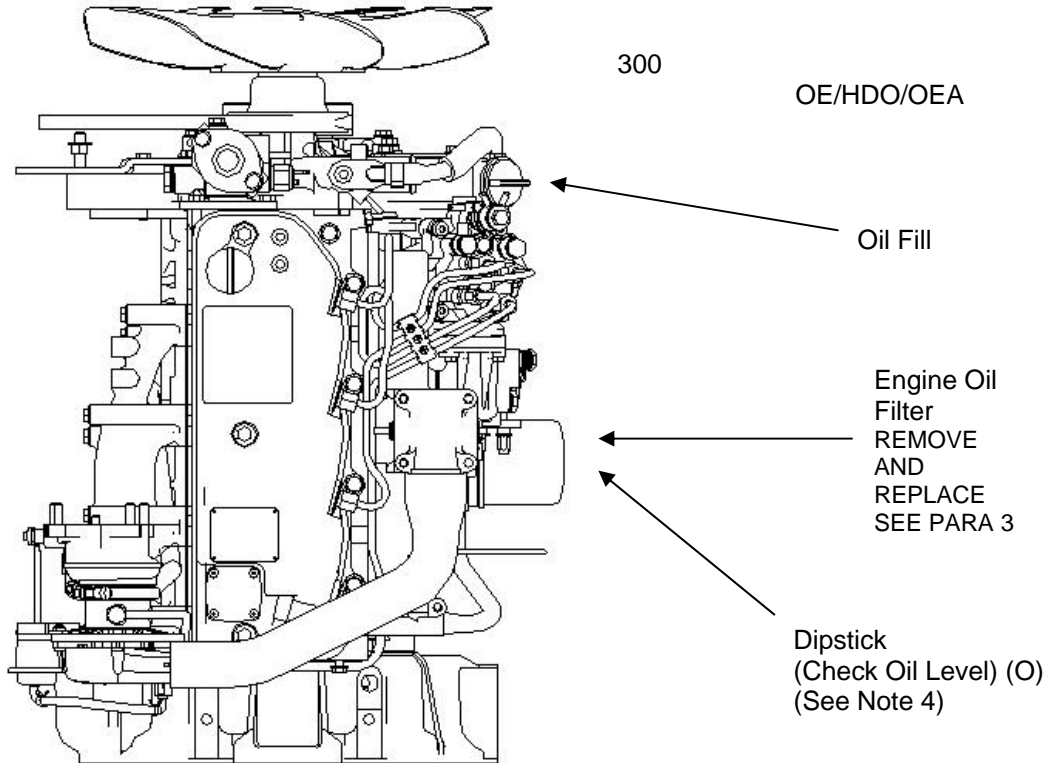
TOTAL TASK-HR

INTERVAL TASK-HR  
300 0.4

LUBRICANT • INTERVAL

INTERVAL •

LUBRICANT



LUBRICANTS	CAPACITY	Above	+40°F (+4°C)	0°F (-17°C)	INTERVALS
		+32°F (0°C)	to -10°F (-23°C)	to -65°F (-53°C)	
OE/HDO-Oil, Engine, Heavy Duty Crankcase Oil Can Points	With Filter 6 qts. 5.7 Liters	OE/HDO-30	OE/HDO-10	OEA	intervals given are in hours of normal operation
OEA-Oil, Engine, Sub-zero	Without Filter 5 qts.	OE-HDO-15/40			

**Yanmar 4TNV84-DFM, MEP-804B, MEP-814B**

## WARNING

Clean parts in a well-ventilated area. Avoid inhalation of solvent fumes and prolonged exposure of skin to cleaning solvent. Wash exposed skin thoroughly. Dry Cleaning solvent (Fed. Spec. PD-680) used to clean parts is potentially dangerous to personnel and property. Do not use near open flame or excessive heat. Flash point of solvent is 100°F to 138°F (38°C to 59°C).

**2. FOR OPERATION OF EQUIPMENT IN COLD TEMPERATURES BELOW -10°F (-23°C).** Remove lubricants prescribed in the key for temperatures above -10°F (-23°C). Clean parts with dry cleaning solvent, PD-680 Type II or equivalent. Re-lubricate with lubricants specified in the key for temperatures 0°F to -65°F (-17°C to -53°C).

**3. OIL FILTER.** After installing filter, fill crankcase, operate engine 5 minutes, and check housing for leaks. Shut down engine, check crankcase oil level, and bring to full mark. Oil filters shall be serviced/cleaned/changed as applicable, when:

- a. They are known to be contaminated, or clogged.
- b. Service is recommended by Army Oil Analysis Program (AOAP) laboratory analysis.
- c. At prescribed hardtime intervals.

**3.1 OIL CAN POINTS.** Every 100 hours, lubricate the door hinges, latches, control linkage, and all exposed adjusting threads with OE/HDO/OEA.

**3.2 CRANKCASE OIL.** Engine oil must be sampled at an interval of 50 hours or 90 days as prescribed by DA PAM 738-750, The Army Maintenance Management System (TAMMS) Users Manual.

a. For equipment under manufacturer's warranty, hardtime oil service intervals shall be followed.

b. Intervals shall be shortened if lubricants are known to be contaminated or if operation is under adverse conditions such as longer than usual operating hours, extended idling periods, extreme dust, etc.

## NOTE

When AOAP laboratory support is not available, drain and refill crankcase oil every 300 hours or 6 months.

**4. Fill and check oil level.** After checking level, place dipstick into the adapter tube to prevent oil leakage or contamination.

## CAUTION

The dipstick is marked so that the crankcase oil can be checked while engine IS stopped or running. Always make sure correct side of dipstick is checked.

**5. LUBRICANTS.** The following is a list of lubricants with the military symbols and applicable military specification numbers:

OE/HDO - MIL-L-2104  
OEA - MIL-L-46147

*These are the instructions for sending an electronic 2028*

The following format must be used if submitting an electronic 2028. The subject line must be exactly the same and all fields must be included; however only the following fields are mandatory: 1, 3, 4, 5, 6, 7, 8, 9, 10, 13, 15, 16, 17, and 27.

From: "Whomever" <whomever@avma27.army.mil> TO:  
<http://edm.monmouth.army.mil/pubs/2028.html>.

Subject: DA Form 2028

1     **From:** Joe Smith  
2     *Unit:* home  
3     **Address:** 4300 Park  
4     **City:** Hometown  
5     **St:** MO  
6     **Zip:** 77777  
7     **Date Sent:** 19-OCT-93  
8     **Pub no:** 55-2840-229-23  
9     **Pub Title:** TM  
10    **Publication Date:** 04-JUL-85  
11    *Change Number:* 7  
12    *Submitter Rank:* MSG  
13    **Submitter FName:** Joe  
14    *Submitter MName:* T  
15    **Submitter LName:** Smith  
16    **Submitter Phone:** 123-123-1234  
17    **Problem:** 1  
18    *Page:* 2  
19    *Paragraph:* 3  
20    *Line:* 4  
21    *NSN:* 5  
22    *Reference:* 6  
23    *Figure:* 7  
24    *Table:* 8  
25    *Item:* 9  
26    *Total:* 123  
27    **Text:**

This is the text for the problem below line 27.

By Order of the Secretary of the Army:

Official:



JOYCE E. MORROW

*Administrative Assistant to the  
Secretary of the Army*

0823102

GEORGE W. CASEY, JR  
*General, United States Army  
Chief of Staff*

DISTRIBUTION:

To be distributed in accordance with the initial distribution number (IDN) 256010 requirements for LO 9-6115-643-12.

